

GKA132M-182 485W-505W Mono

M10/182mm Cell. 132 Half-Cell Layout

MBB
182mm

GAMKO
SOLAR

KEY FEATURES



M Busbar Solar Cell

M Busbar Solar Cell design improves module efficiency and offers better aesthetic appearance for rooftop installation.



High Efficiency:

Higher module conversion efficiency (up to 24.67%) benefit from Passivated Emitter Rear Contact (PERC) technology.



PID Resistance:

Excellent Anti-PID performance guarantee limited power degradation for mass production.



Low-light Performance:

Advanced glass and cell surface textured design ensure excellent performance in low-light environment.



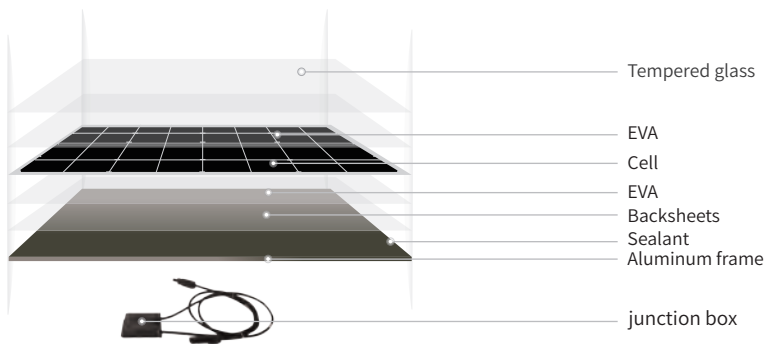
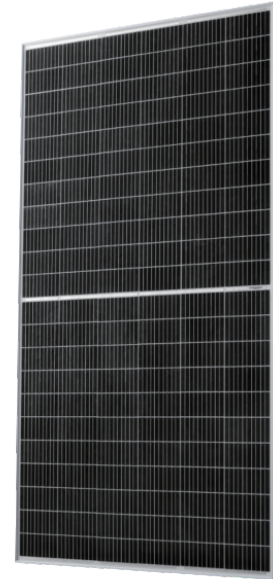
Severe Weather Resilience:

Certified to withstand: wind load (2400 Pascal) and snow load (5400 Pascal).



DURABILITY AGAINST EXTREME ENVIRONMENTAL CONDITIONS:

High salt mist and ammonia resistance certified by TUV NORD.



GAMKO SOLAR MODULE BOM

CELLS: TIER 1 BRANDS SOLAR CELLS

TEMPERED GLASS: ULTRA-CLEAR

EVA: TRANSPARENCY > 93%

BACKSHEETS: REFLECTIVITY > 80%, TPT

JUNCTION BOX: IP65/IP67 MAX 30A

SILICON GEL: UV, AGING-RESISTANT

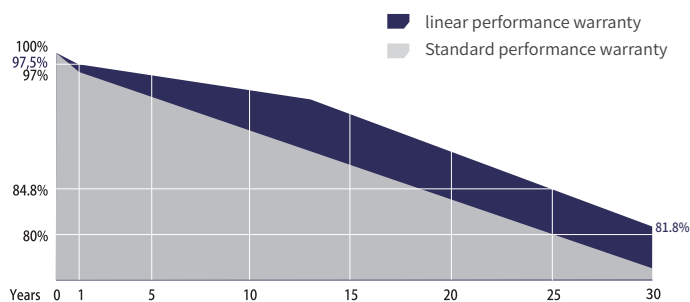
FRAME: ANODIZED ALUMINUM 6005-T5

GAMKO QUALITY CONTROL

- ◆ 2 EL testing avoid cells cracking of each solar module.
- ◆ 2 Power flash testing avoid false welding and insufficient power of each module.
- ◆ Packing tightly with angle protection avoid transportation broken.
- ◆ Gamko Official Warranty cover all Gamko solar module 30 years.

LINEAR PERFORMANCE WARRANTY

12 Year Product Warranty • 30 Year Linear Power Warranty



GKA132M-182

485W-505W Mono

M10/182mm Cell. 132 Half-Cell Layout

MBB
182mm

GAMKO
SOLAR

ELECTRICAL CHARACTERISTICS AT STC

	485W	490W	495W	500W	505W
Maximum power(Pmax)	485W	490W	495W	500W	505W
Open Circuit Voltage(Voc)	48.34V	48.51V	48.67V	48.83V	48.98V
Short Circuit Current(Isc)	12.99A	13.06A	13.13A	13.20A	13.27A
Voltage at Maximum power(Vmpp)	40.08V	40.26V	40.44V	40.62V	40.79V
Current Maximum power (Impp)	12.10A	12.17A	12.24A	12.31A	12.38A
MODULE EFFICIENCY(%)	20.42%	20.64%	20.85%	21.06%	21.27%

STC: Irradiance 1000W/m², cell temperature 25°C, AM1.5G

NOCT : Irradiance 800W/m², ambient temperature 20°C, wind speed 1m/s, AM1.5G

ELECTRICAL CHARACTERISTICS AT NOCT

	365W	369W	373W	377W	381W
Maximum power(Pmax)	365W	369W	373W	377W	381W
Open Circuit Voltage(Voc)	44.93V	45.18V	45.44V	45.69V	45.94V
Short Circuit Current(Isc)	10.55A	10.59A	10.63A	10.67A	10.71A
Voltage at Maximum power(Vmpp)	36.76V	37.01V	37.26V	37.51V	37.76V
Current Maximum power (Impp)	9.93A	9.97A	10.01A	10.05A	10.09A
MODULE EFFICIENCY(%)	20.42%	20.64%	20.85%	21.06%	21.27%

STC: Irradiance 1000W/m², cell temperature 25°C, AM1.5G

NOCT : Irradiance 800W/m², ambient temperature 20°C, wind speed 1m/s, AM1.5G

MECHANICAL CHARACTERISTICS

Cell type	Mono 182x182mm
Number of cells	132(6x22)
Module dimensions	2094x1134x35mm
Weight	26kg
Front cover	3.2mm, Anti-Reflection Coating, Tempered Glass
Frame	Anodized Aluminium Alloy
Junction box	IP67 Rated
Cable	TÜV 1x4.0mm ² , Length:300mm or Customized Length
Connector	PV Connector (compatible)

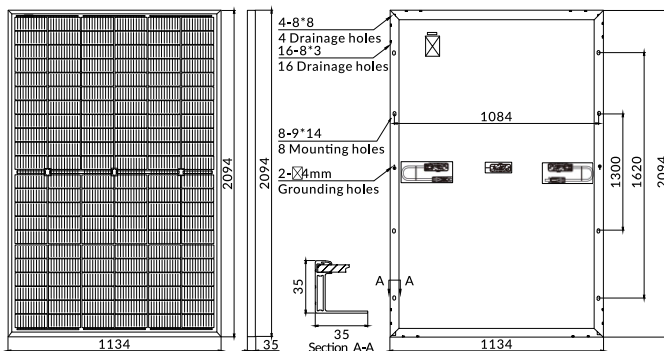
TEMPERATURE CHARACTERISTICS

Nominal Operating Cell Temperature (NOCT)	45°C±2°C
Temperature Coefficients of P _{max}	-0.36%/°C
Temperature Coefficients of V _{oc}	-0.28%/°C
Temperature Coefficients of I _{sc}	0.05%/°C

PACKAGING

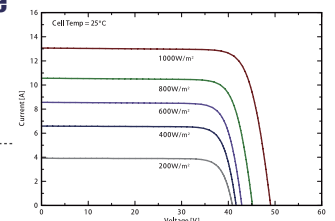
Standard packaging	31pcs/pallet
Module quantity per 20' container	155pcs
Module quantity per 40' container	22pallet/682pcs(HQ)

ENGINEERING DRAWINGS

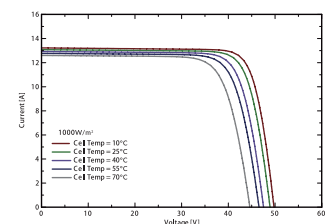


Electrical Performance & Temperature Dependence

Current-Voltage and Power-Voltage Curves (495W)



Temperature Dependence of I_{sc}, V_{oc}, P_{max}



GAMKOsolar and GAMKOsolar logo denoted with ® are registered trademarks of Nantong Gamko New Energy Co., Ltd.